



**sunair**  
products  
www.sunairusa.com

An ISO 9001:2008 Registered Company



Certificate # 2783QM8001

**E-Bulletin**

PAGE 1 of 3  
BULLETIN: 0946

## DENSO 10S COMPRESSOR REBUILDING PARTS

Ten (10) new compressor rebuilding parts are now available!

**NEW!**



**MC-1326**  
Suction Reed



**MC-1327**  
Discharge Reed



**MG-483**  
Center Metal  
Case Gasket  
Style A



**MG-592**  
Center Metal  
Case Gasket  
Style B



**MG-589**  
Front Metal  
Cylinder Gasket

**NEW!**

**ALL IN STOCK & AVAILABLE NOW!**



**MG-610**  
Rear Metal  
Cylinder Gasket



**MG-611**  
Rear Metal  
Head Gasket



**MG-612**  
Front Metal  
Head Gasket



**MC-1328**  
GM 10S20F  
Pressure Switch  
Purple



**MC-1330**  
Chrysler 10S17C  
Pressure Switch  
Green

**Contact Your Sunair Sales Rep Now To Order!**

Sunair Products, Inc. • Phone: (817) 831-6301  
Toll Free: 1-800-831-6301  
Fax: (817) 222-7800 • Sales: sales@sunairusa.com



**Online**  
www.coolpro.com  
www.sunairusa.com  
www.sunaireurope.com

Sunair Europe • Phone: +31 (0) 495 531186  
Fax: +31 (0) 495 542787  
Sales: sales@sunaireurope.com





**sunair**  
products  
www.sunairusa.com

An ISO 9001:2008 Registered Company



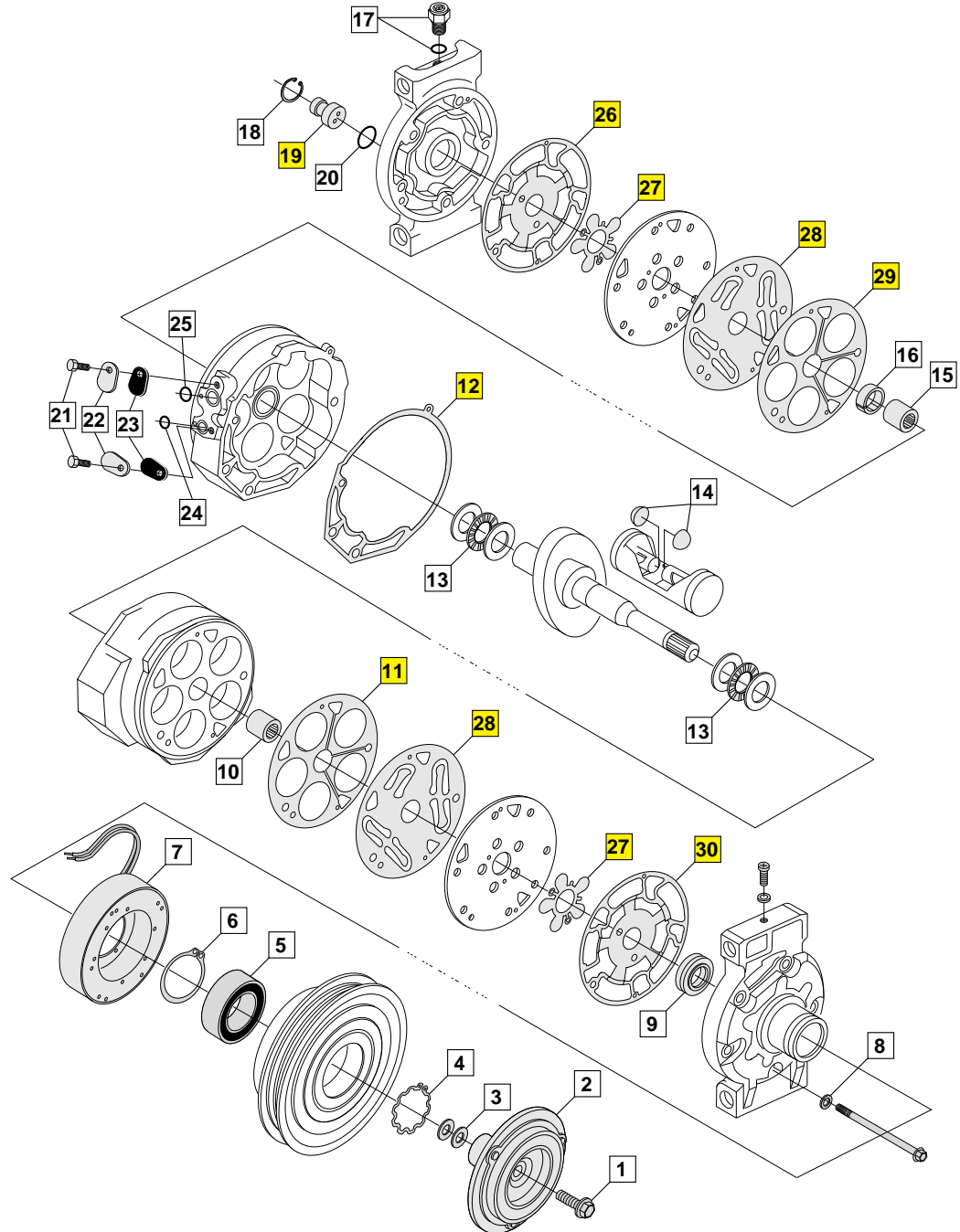
Certificate # 2783QM8001

**E-Bulletin**

PAGE 2 of 3  
BULLETIN: 0946

# DENSO 10S COMPRESSOR EXPLODED VIEW

Ten (10)  
new Denso  
10S type  
compressor  
rebuilding  
parts are  
now  
available!



Sunair Products, Inc. • Phone: (817) 831-6301  
Toll Free: 1-800-831-6301  
Fax: (817) 222-7800 • Sales: sales@sunairusa.com



**Online**  
www.coolpro.com  
www.sunairusa.com  
www.sunaireurope.com

Sunair Europe • Phone: +31 (0) 495 531186  
Fax: +31 (0) 495 542787  
Sales: sales@sunaireurope.com





**sunair**  
products  
www.sunairusa.com

An ISO 9001:2008 Registered Company



Certificate # 2783QM8001

**E-Bulletin**

PAGE 3 of 3  
BULLETIN: 0946

# DENSO 10S COMPRESSOR PARTS LIST

Ten (10)  
new Denso  
10S type  
compressor  
rebuilding  
parts are  
now  
available!

1	BOLT 6X16	HUB RETAINING BOLT
2	CH-100	SPLINED CLUTCH HUB
3	MC-653-1	CLUTCH SHIM - .015" THICK
	MC-653-3	CLUTCH SHIM - .025" THICK
	MC-653-5	CLUTCH SHIM - .035" THICK
	MC-653-8	CLUTCH SHIM - .050" THICK
	MC-653-9	CLUTCH SHIM - .060" THICK
	KT-10SCL	COMPLETE CLUTCH INSTALLATION KIT
4	NPA-112	WAVY OEM PULLEY RETAINING RING
	3100-118B	PULLEY RETAINING RING (BEVELED) ALTERNATE FOR WAVY
	3100-118ST	PULLEY RETAINING RING (NON BEVELED) ALTERNATE FOR WAVY
5	BG-403	CLUTCH PULLEY BEARING - OEM
	BG-603	CLUTCH PULLEY BEARING - AFTERMARKET
6	3100-156	COIL RETAINING RING (NON-BEVELED)
	3100-156B	COIL RETAINING RING (BEVELED)
7	CC-900	CLUTCH COIL (NEW) WITH STRIPPED LEADS - NO CONNECTOR
8	MC-683	CASE THROUGH BOLT ALUMINUM WASHERS (5)
9	SH-987HNBR	OEM LIP SEAL - RUBBER MOUNT - HNBR
	SK-782HNBR	OEM LIP SEAL KIT
10	BG-305	FRONT CASE BEARING
11	FG-589NA	FRONT FIBER CYLINDER GASKET
	MG-589	FRONT METAL CYLINDER GASKET
12	FG-592NA	CENTER FIBER CASE GASKET
	MG-483	CENTER METAL CASE GASKET - STYLE A
	MG-592	CENTER METAL CASE GASKET - STYLE B
	KT-10SN	GASKET / O-RING KIT
13	BG-116	THRUST BEARING
14	NPA-108-1	HALF BALL SHOE - 7.895MM
	NPA-108-2	HALF BALL SHOE - 7.900MM
	NPA-108-3	HALF BALL SHOE - 7.905MM
	NPA-108-4	HALF BALL SHOE - 7.910MM
	NPA-108-5	HALF BALL SHOE - 7.915MM
	NPA-108-6	HALF BALL SHOE - 7.920MM
	NPA-108-7	HALF BALL SHOE - 7.925MM
	NPA-108-8	HALF BALL SHOE - 7.930MM
	NPA-108-9	HALF BALL SHOE - 7.935MM
	NPA-108-10	HALF BALL SHOE - 7.940MM
15	BG-300	REAR CASE BEARING
16	NPA-110	PLASTIC CASE BEARING RETAINER (BLUE)
17	MC-1225	ALUMINUM PRESSURE RELIEF VALVE - M10-1.5 METRIC THREADS
	-08.50X1.72MG	PRESSURE RELIEF VALVE O-RING - HNBR - FOR MC-1225
	MC-1307	PRESSURE RELIEF VALVE - 3/8-24 STD. THREAD
	-009.5MG	PRESSURE RELIEF VALVE O-RING - HNBR - FOR MC-1307
18	3000-87	SWITCH RETAINING RING
19	MC-534A	SWITCH PORT ALUMINUM DUMMY PLUG
	MC-1328	GM 10S20F PRESSURE SWITCH - PURPLE
	MC-1330	CHRYSLER 10S PRESSURE SWITCH - GREEN
20	-118N	SWITCH O-RING - NEOPRENE
	-118G	SWITCH O-RING - HNBR
21	MC-632	SHIPPING PLATE BOLTS (2)
22	PL-278	STEEL SHIPPING PLATES (2)
23	SP-275	NEOPRENE SHIPPING PADS (2)
24	-011.49MG	DISCHARGE PORT GASKET O-RING - HNBR
	MG-470	DISCHARGE PORT METAL GASKET
	KT-10SD	DISCHARGE PORT METAL GASKET / O-RING KIT
25	-014.3MG	SUCTION PORT GASKET O-RING - HNBR
	MG-471	SUCTION PORT METAL GASKET
	KT-10SS	SUCTION PORT METAL GASKET / O-RING KIT
	KT-10SS/D	SUCTION / DISCHARGE PORT METAL GASKET / O-RING KIT
26	MG-611	REAR HEAD METAL GASKET - LATE MODEL
27	MC-1326	SUCTION REED
28	MC-1327	DISCHARGE REED
29	MG-610	REAR METAL CYLINDER GASKET
	FG-589NA	REAR FIBER CYLINDER GASKET
30	MG-612	FRONT HEAD METAL GASKET

Contact  
Your  
Sunair  
Sales  
Rep  
Now To  
Order!

Sunair Products, Inc. • Phone: (817) 831-6301  
Toll Free: 1-800-831-6301  
Fax: (817) 222-7800 • Sales: sales@sunairusa.com



**Online**

www.coolpro.com  
www.sunairusa.com  
www.sunaireurope.com

Sunair Europe • Phone: +31 (0) 495 531186

Fax: +31 (0) 495 542787

Sales: sales@sunaireurope.com

